



KERALA STATE DRUGS AND PHARMACEUTICALS LTD.

a government of kerala enterprise

factory & Office:kalavoor – 688 522, alappuzha, India

phone : 2258181, 2258183, 2258752, 2258162, fax: 0477-258162, : 0477-2258262

email : ksdpltd@gmail.com

Website : www.ksdp.co.in

TENDER DOCUMENT

FOR

SUPPLY OF DRAIN TRAPS AS PER THE SPECIFICATIONS AND DRAWINGS FOR OUR NON BETALACTAM PLANT.

NOTICE INVITING TENDER

TENDER NO. **KSDP/PRJ/DRAIN-TRAP/01/18-19**

The Managing Director, Kerala State Drugs & Pharmaceuticals Ltd, Kalavoor –PO, Alappuzha, Kerala 688 522 invites bids in **two cover system** (Sealed Cover) from reputed Manufacturer/Supplier, for the work of “**SUPPLY OF DRAIN TRAPS AS PER THE SPECIFICATIONS AND DRAWINGS FOR OUR NON BETALACTAM PLANT.**” and who have successfully completed similar works as given elsewhere in the condition of contract.

1	Name of work	“SUPPLY OF DRAIN TRAPS AS PER THE SPECIFICATIONS AND DRAWINGS FOR OUR NON BETALACTAM PLANT.” – AS PER BOQ AND DRAWINGS ENCLOSED.
2	Earnest Money Deposit (EMD)	Rs. 9600 .00/-
3	Tender Submission Fee + vat 12%	Rs. 766.00 + Rs. 91.92= Rs. 858.00 /-
4	Period of completion	1Month
5	Classification of Bidder	From reputed Manufacturer/Supplier.
6	Tender documents	Can be downloaded from the site www.ksdp.co.in .
7	Last date and time of Receipt of Tender/ Bids	25/05/2018, 15.00 hrs
8	Date and Time of Opening of Tender. Tender documents and tender schedule may be downloaded from the website www.ksdp.co.in .	25/05/2018, 15.30 hrs.

A bid submission fee and EMD shall be remitted by DD/pay order in favour of the Managing Director, KSDP Limited, Alappuzha payable at Alappuzha.

SIGNATURE OF SUPPLIER

All bid / tender documents are to be submitted by sealed covers only and in the designated cover(s). Late tenders will not be accepted. The relevant copies of registration certificate and EMD exemption certificate (if any) and other documents as specified shall be submitted in cover one.

The technical bids / financial bids shall be opened on specified date and time at the address mentioned above. If the tender opening date happens to be on a holiday or nonworking day due to any other valid reason, the tender opening process will be done on the next working day at same time and place.

Tenders/ bids received without the fee will not be considered and shall be summarily rejected.

The KSDP Ltd will not be responsible for any error like missing of schedule data while downloading by the Bidder.

Sd/-
Managing Director.

SIGNATURE OF SUPPLIER

SPECIAL TERMS AND CONDITIONS OF TENDER

1. TENDER DETAILS.

- a. The list of materials put up for purchase by tender may please be seen at Annexure - 'B' attached herewith.
- b. The rates are to be submitted only in Annexure - 'B' attached herewith.
- c. Tender sets can be obtained from Administration office of KSDP or through online from our website www.ksdp.co.in .
- d. The tender must be submitted by Specified Times on the date as mentioned on first page of tender documents at KSDP Ltd. KALAVOOR ALAPPUZHA, KERALA - 688522.
- e. All tender should be kept open for acceptance for a period of 45 (Forty Five) days from the date of opening.
- f. Tender will be opened at the time specified in the presence of such tenderers who may like to be present.
- g. Tenders received with Earnest Money less than the requisite amount will be rejected summarily.

2. Earnest money amount.

The tender should be accompanied with Earnest Money by way of Demand Draft/Pay Order on any Nationalised Bank in Favour of KSDP Ltd ALAPUZHA Payable at ALAPUZHA.

The period of contract shall be 30 days from the date of issue of acceptance letter by KSDP.

3. PAYMENT TOWARD MATERIAL VALUE.

- a. The Schedule of payment will be as follows:
 - i. The 100% value of each lot and all taxes/duties as applicable have to be paid at a time along with the required security deposit (if any) within 10 (ten) days from the date of delivery.
- b. Security deposit, if any, as envisaged in the General terms and Conditions of Tender is payable along with the full value of material including taxes/duties, as the case may be.
- c. The tender quoted should be inclusive of all taxes, packing and forwarding, freight charges etc.

4. DELIVERY PERIOD

- a. These terms and conditions are to be read in conjunction with the General Terms and Conditions attached herewith.
- b. All tenders are to be submitted in sealed envelope super scribed with tender notice number by post/in person so as to reach the above address on or before the closing date and time indicate above. For any postal delay or for any other reason KSDP will not be held responsible.

5. DECLARATION BY THE TENDERER

I/We have understood the above Special Terms & Conditions as well as general Terms & Condition of Tender (attached with the tender) which are returned herewith duly signed by me/us in token of having accepted the same in toto and I/We have made my/our offer keeping in the view these terms and conditions.

Signature Of Tenderer :
Full Name :.....

Status :
Telephone Number
Name Of the Tendering Firm:
Address Of The Tendering Firm:

Our GST No. is

Our Banker are
Our Account No. as

(AFFIX RUBBER STAMP HERE)

SIGNATURE OF SUPPLIER

GENERAL TERMS AND CONDITION OF TENDER

KSDP Limited shall be hereinafter referred to as KSDP and the successful tenderer (i.e. the tenderer in whose favour the contract may be awarded) shall be hereinafter referred to as the supplier.

1. MODE OF SUBMISSION OF TENDER

- a. All tender must be submitted in the prescribed form only and in sealed covers (cover one – Technical, and two Financial) super scribed with the reference number of the tender enquiry. The tenders must be addressed to KSDP Limited, Kalavoor, Alappuzha, Kerala - 688522.
- b. Tenderer should enclose inside the sealed cover containing the tender, the following documents:

Cover 1 : TECHNICAL

This shall contain copy of the following

- 1) Registration certificate.
- 2) **List of Clients**
- 3) Letter of submission - in the format. ANNEXURE A
- 4) Techno-commercial deviation statement. AS per the format given in Annexure - D.
- 5) Bank Details as per format – ANNEXURE C

Cover 2: Finance:

SCHEDULE AS PER ANNEXURE – B duly filled in.

Financial bid shall be opened only for those tenderers who are technically qualified.

2. GENERAL INSTRUCTIONS.

- a. The prices should be quoted in the original BOQ given in the tender document.
- b. All supplies should accompanied by Invoices, which indicates the exact quantity as mentioned in the tender document. The invoices should be accounted by the owner as GRN for taking into the stock.
- c. The Special as well as General Terms and conditions of tender, both duly signed by the tenderer in token of having accepted the same in toto.
- d. No e mail or fax quotations will be accepted.
- e. Tenderers sending their tenders by mail will do so solely at their own risk and KSDP will not be responsible for any loss in transit or postal delay.
- f. Incomplete tender or tenders submitted with qualifying conditions at variance with the Special as well as General Terms and conditions of tender are liable to be rejected summarily.
- g. In the event of KSDP's office remaining closed on the day of opening of the tender for any unforeseen reason, the tender shall be received upto 3.00 P.M. on the next working day for KSDP and will be opened immediately thereafter in the presence of such tenders who may like to be present, KSDP shall not entertain any complaint as to the fact that the tenderers were not aware of the exact next working day and it is the responsibility of the tenderers to find out from the office of KSDP about such details. KSDP does not undertake any responsibility whatsoever to inform any or all the tenderers such changes and it is within the

SIGNATURE OF SUPPLIER

rights and discretion of KSDP to take all such decision and the same shall be binding on the tenderers.

3. **EARNEST MONEY/SECURITY DEPOSIT**

- a. The tender should be accompanied by Earnest Money deposit on any scheduled bank in favour of KSDP Limited by way of DD/PO, payable at Alappuzha. No interest will be payable on the Earnest Money. For the purpose of calculation on Earnest Money, taxes/duties etc. will not be counted.
- b. Earnest Money in any other form, example cheque (including cheque made " Good for payment" by the bank). Bank Guarantee, Bid Bonds/Call Deposits etc. will not be acceptable to KSDP and any request to recoup earnest money from "Tenderers" pending bills or for adjustment of the same from previous Security Deposit, if any, or from any other amount lying with KSDP shall not be entertained. Further permanent financial arrangement entered into with KSDP, if any will also not be applicable to the tender.
- c. In case unsuccessful tenderers, the Earnest Money will be refunded after the expiry of the offer or earlier at the discretion of KSDP.
- d. In case the tender is accepted terms stipulated in the Special Terms and Conditions, the Earnest Money deposited by the successful tenderer for accepted Tender shall be automatically converted into Security Deposit. In case the tender is accepted and the tenderer(s) refuses/fails to fulfil the stipulated in the Special Terms and Conditions of the tender, the full Earnest Money shall be forfeited without prejudice to the right of KSDP to claim such further damages in this regard without further reference to the tenderer(s).
- e. No interest is payable by KSDP on the Security Deposit. The Security Deposit(s) is /are adjusted only at the time of Delivery and on receipt of material.

4. **QUALITY AND QUANTITY**

1. The goods, the tenderer(s) will be deemed to have made themselves should be certified by our concerned officer for its physical conditions, dimensions, size, weight, working conditions etc. by inspecting the material.
2. Tenderers may quote for all the items mentioned in the schedule of Rate(s) but no tender for parts quantity of material will be accepted.
3. KSDP reserves the right to withdraw from tender in full or part thereof prior to or after the acceptance of the tender without assigning any reason whatsoever.
4. KSDP reserves the right to accept or reject the lowest tender without assigning any reason and the contract submitted by KSDP as may be deemed fit and no claim/complaint in this regard will be entertained by KSDP.

5. **INSPECTION**

The materials quoted for will be inspected by the concerned/department of KSDP.

6. **PERIOD OF CONTRACT**

The period of contract will be as specified in the Special Terms and Conditions of tender. Unless the materials are delivered within the stipulate time, the contract for the quantity not supplied within the stipulated time shall be deemed to have been

SIGNATURE OF SUPPLIER

cancelled and KSDP shall be at liberty to purchase them off without prejudice to its rights against the supplier(s).

7. DEFAULT IN SUPPLYING BY THE SUPPLIER

In case of any default in delivering the materials by the supplier(s) within the time limits specified in the Special Terms and Conditions of tender, the EMD shall be forfeited.

8. GST AND LEVIES

1. All taxes, other than GST(As mentioned in the Schedule), or other levies, entailing on the transaction under any provincial, local or central taxes in force for the time being or enforced hereafter having its impact on the transaction, will be to tenderer's account.
2. The buyer(s) will be responsible for complying with the provisions of the GST rules framed there under and also by the order of instruction issued in this behalf by the appropriate authority.
3. The declaration form should contain P.O. number duly filled in
4. Original GST registration certificates should be produced as and when demanded by KSDP.

9. PRICE ESCALATION

Price once quoted is binding and will not be entertained any escalation.

10. DELIVERY

The supplier(s) shall supply the full materials in the lot quoted for at their own cost from the area within time stipulated in the Special Terms and Conditions of Tender or within such time as may be prescribed in the purchase order.

11. TERMINATION/BREACH OF CONTRACT

In the event of tenderer's failure to fulfil any of the tender obligation including not supplying the contracted materials under this agreement KSDP 's decision in regard to tenderer failure being final and binding on the tenderer(s). KSDP shall have the full liberty to do any or all of the following.

Cancel the contract with immediate effect for the materials under the contract not taken delivery of by the tenderer's as on that date in which case the security deposit and or/the Earnest money (as the case may be) shall stand forfeited.

12. FORCE MAJEURE

KSDP shall not be liable for any failure or delay in performance due to any cause beyond their control including fires, floods, strikes, go-slow, lockout, closure,

SIGNATURE OF SUPPLIER

pestilence, dispute with staff, dislocation of normal working conditions, war, riots, epidemics, political upheavals, Government action, civil commotion, breakdown of machinery shortage of labour, acts, demands or otherwise any other cause or conditions, beyond the control of aforesaid causes or not and the extend the time of performance on the part of the KSDP by the period as may be necessary to enable KSDP to effect performance after the cause of delay will have ceased to exit. The provision aforesaid shall not be limited or abrogated by any other terms of the contract whether printed or written.

13. GENERAL

- a. KSDP shall have the right to issue addendum to tender documents to clarify, amend, modify, supplement or delete any of the conditions, clauses or items stated therein, each addendum so issued shall form part of original invitation to tender.
 - b. In case offer is not accepted the tenderer shall not be entitled to claim any cost, charges, expenses incidental to or incurred by the tenderers through or in connection with the submission of the offer even though KSDP may elect to withdraw the invitation to tender should all invitation to tender be withdrawn or cancelled by KSDP for which KSDP shall have the right do at any time to time the Earnest Money paid by the tenderers with the tender will be refunded to them in due course without interest.
 - c. The tenderers shall have no right to issue addendum to tender documents to clarify, amend, supplement or delete any of the conditions, clause or items stated therein.
 - d. Unless otherwise specified, all rates and prices in the tender form should be quoted both in figures and in words. Tender containing over written or rate/rates to be rejected.
 - e. The tenderer shall note the above general terms and conditions are in additions to the special terms and conditions of tender which forms an integral part of the general terms and conditions of the tender in so far as the general terms conditions of tender may be altered by the special terms and conditions of tender.
 - f. Intending tenderer(s) may obtain any clarification before tendering. Submission of tender implies that the tenderer(s) has obtained all the clarifications required and that he had agreed to all general terms and conditions herein specified as well as Special terms and Conditions of tender, if any.
 - g. The decision of Managing Director of KSDP Limited or his authorised nominee in any matter arising out of this purchase shall be final in regard to all matters relating to the contract.
 - h. All kinds of legal proceedings in any matter arising out of the contract shall be triable only by appropriate Civil Court at Alappuzha.
 - i. Tenderer(s) must ensure the following while submitting the tender:
 - THAT EACH PAGE/ITEM OF SCHEDULE OF RATE (S) IS DULY SIGNED BY THE TENDERER BEFORE SUBMITTING THE TENDER.
 - THAT ALL ALTERATION, ERASURE (S) AND/OR OVER-WRITING, IF ANY, IN THE SCHEDULE OF RATE (S) ARE DULY AUTHENTICATED BY THE TENDERER'S SIGNATURE.
14. The tenderer are required to submit their quotations only in the format specified for the purpose i.e. in "Schedule of Rates/offer sheet" attached with the tender. KSDP shall not be

SIGNATURE OF SUPPLIER

responsible for rates quoted by tenderers at any other place being missed out during tender opening. No representation in this regard shall be entertained by KSDP from such tenderers.

SIGNATURE OF SUPPLIER

LETTER OF SUBMISSION BY THE TENDERER

ANNEXURE - A

I/We have fully understood the above General Terms & Conditions of tender as well as the Special Terms & Condition attached with the tender which are returned herewith duly signed by me/us in token of having accepted the same in toto and I/We have made my/our offer keeping in the view these terms and conditions.

The tender fee payable by me/us against the tender in Rs.

Total Earnest Money payable by me/us against all the lots quoted for me/us IN Rs.

The aforesaid amount of Earnest Money/Tender fee is enclosed by me/us with this tender in the form of Pay Order/Demand Draft bearing No.datedof issuing bank payable at Alappuzha in favour of KSDP Ltd.

SIGNATURE OF TENDER :

FULL NAME :

STATUS :

NAME OF TENDERING FIRM:

ADDRESS OF THE TENDERING FIRM:

.....

.....

TELEPHONE NUMBER IF ANY :

DATE :

Name of our Banker:

Our Account No. is

(AFFIX RUBBER STAMP HERE)

SIGNATURE OF SUPPLIER

SCHEDULE OF RATE (S) (OFFER SHEET)

Tender No. KSDP/PRJ/DRAIN TRAPS/01/18-19

ANNEXURE - "B"

Rate quoted per unit as mentioned in the list of tendered items excluding taxes/duties (in Rs.)

SL. NO	ITEM DESCRIPTION	QUANTITY (in No.s)	UNIT RATE (Rs.)	GST (FOR TOTAL AMOUNT) 3x4x....%	TOTAL AMOUNT INCLUDING GST (Rs.) 4+5	TOTAL RUPEES IN WORDS
1	2	3	4	5	6	7
1	Sterile Drain Trap SS304 (Single Seal) Top Lid : Turn Opening Size: Top cut-out square 150mm x 150mm Outlet - Bottom	25				
2	Sterile Drain Trap(Sink Installation) SS304 (Single Seal) Top lid with arrangement for installation below Sink Size: Top cut-out square 150mm x 150mm Outlet – Bottom	7				
3	Sterile Drain Trap SS304 (Single Seal) Top Lid : Turn Opening Size: Top cut-out square 240mm x 240mm Outlet – Bottom	9				
4	Sterile Drain Trap(Sink Installation) SS304 (Single Seal) Top lid with arrangement for installation below Sink Size: Top cut-out square 240mm x 240mm Outlet – Bottom	9				

SIGNATURE OF SUPPLIER

5	Sterile Drain Trap(Sink Installation) SS304 (Single Seal) Top lid with arrangement for installation below Sink Size: Top cut-out square 150mm x 150mm Outlet – Side	9				
6	Sterile Drain Trap SS 304 (Single Seal) Top Lid : Turn Opening Size: Top cut-out square 150mm x 150mm Outlet – Side	14				
7	Sterile Drain Trap(Sink Installation) SS 304 (Single Seal) Top lid with arrangement for installation below Sink Size: Top cut-out square 240mm x 240mm Outlet – Side	2				
8	Sterile Drain Trap SS 304 (Single Seal) Top Lid : Turn Opening Size: Top cut-out square 240mm x 240mm Outlet – Side	2				

Signature of the Tenderer

Name of the Tendering Firm

Note: All columns to be filled up by the tenderer only.

SIGNATURE OF SUPPLIER

STATEMENT SHOWING DETAILS OF BANK ACCOUNT FOR TRANSACTIONS.

Particulars	Details
Vendor Name	
Office address	
Name of Bank	
Bank address	
A/c Number	
MICR code of the bank branch	
IHSC code of the bank branch for RTGS transfers	
IHSC code of the bank branch for NEFT transfers	
SWIFT Code	
Type of A/c(Current/Savings or Cash credit A/c)	

I, hereby declare that the particulars given above are correct and complete. If the transaction is delayed or not effected at all for reasons of incomplete or incorrect information, I would not hold the user institution responsible.

Authorised Signatory

Name

Date

SIGNATURE OF SUPPLIER

TECHNO-COMMERCIAL DEVIATION STATEMENT

ANNEXURE - D

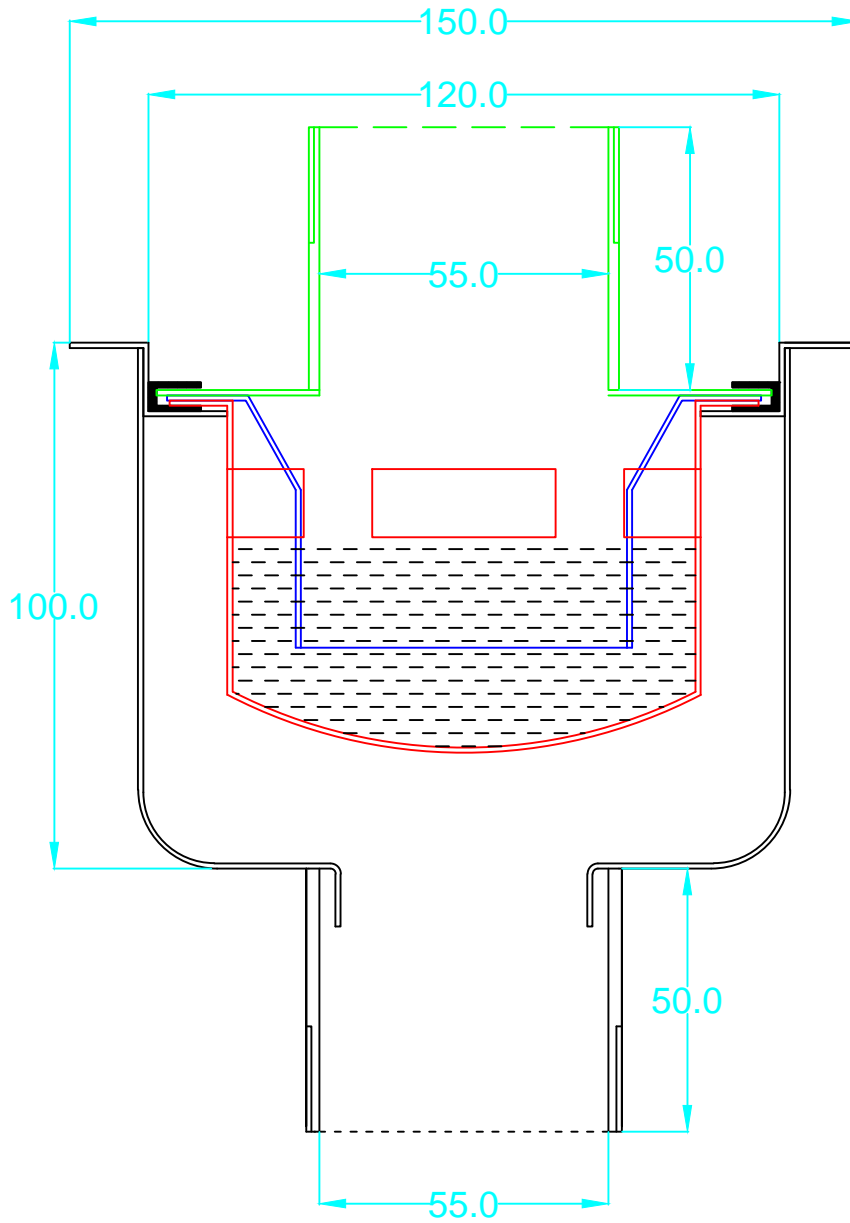
Sr. No.	Item No. / Clause No.	Item / Clause Description as per Tender	Deviation asked for by Bidder	Reason for asking Deviation

I /We hereby declare that the information provided above are correct and in accordance with the tender filled by us.

The deviation not mentioned in this document but observed in the tender will be sufficient reason for disqualifications of my / our tender.

SIGNATURE OF SUPPLIER

STERILE DRAIN TRAP – (SINGLE SEAL SINK INSTALLATION BOTTOM OUTLET)



MOC: SS 304

ALL DIMENSIONS ARE IN MM.



Model : KDT – DS / KDT – DSP

KNACON ENVIRO ENGINEERING

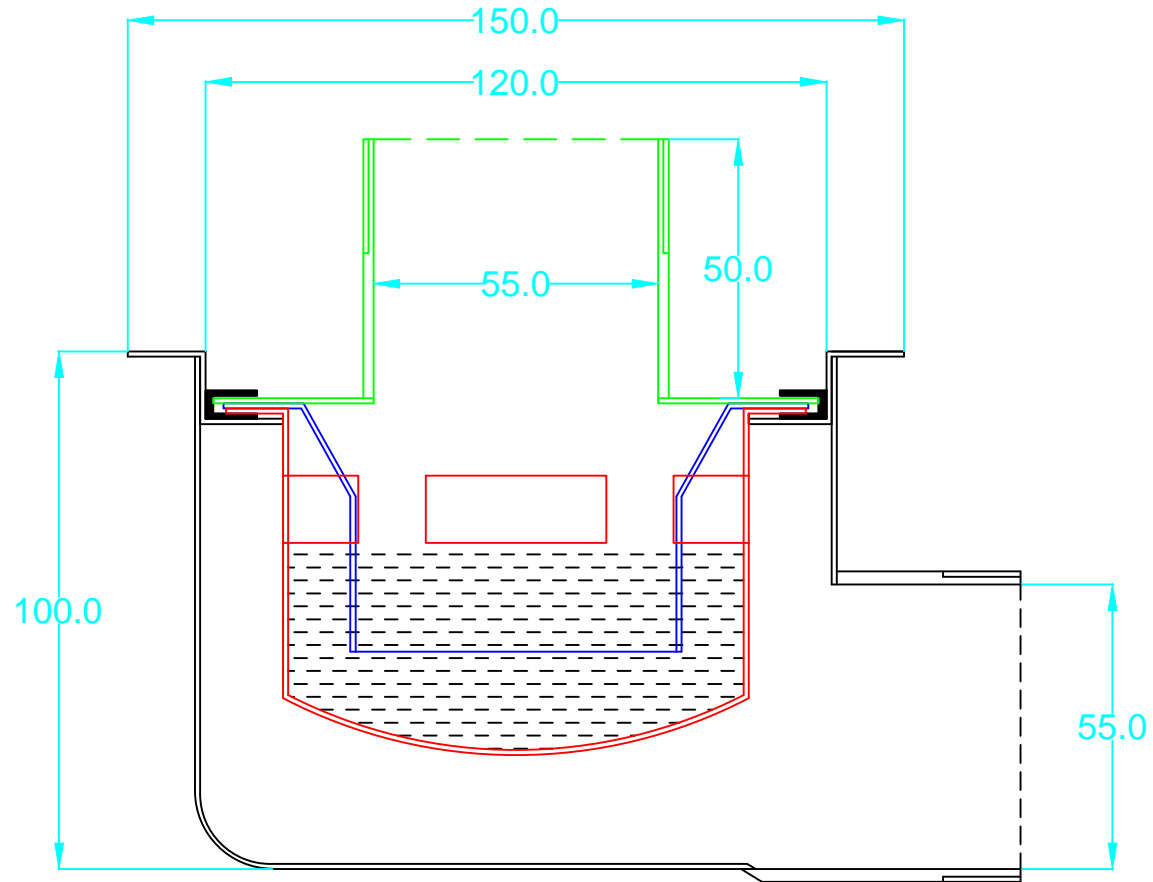
42 AVINASH, J.P. ROAD, ANDHERI (W), MUMBAI – 400 053
 TEL: 91 22 26314010,26361629 FAX: 91 22 26315016
 EMAIL : info@knacktechnocrats.com

ALL DIMENSIONS ARE IN MM

DRAWN BY	CHECKED BY	DATE	SCALE	DWG NO.
AJINKYA	-	06/06/2016	N.T.S	2

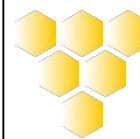
FILE H:\individual\AJINKYA\KNACON\KSDP NON BETA 24-02-2018\RAIN TRAP 62 NC

STERILE DRAIN TRAP - (SINGLE SEAL SINK INSTALLATION SIDE OUTLET)



MOC: SS 304

ALL DIMENSIONS ARE IN MM.



MODEL : KDT - 100

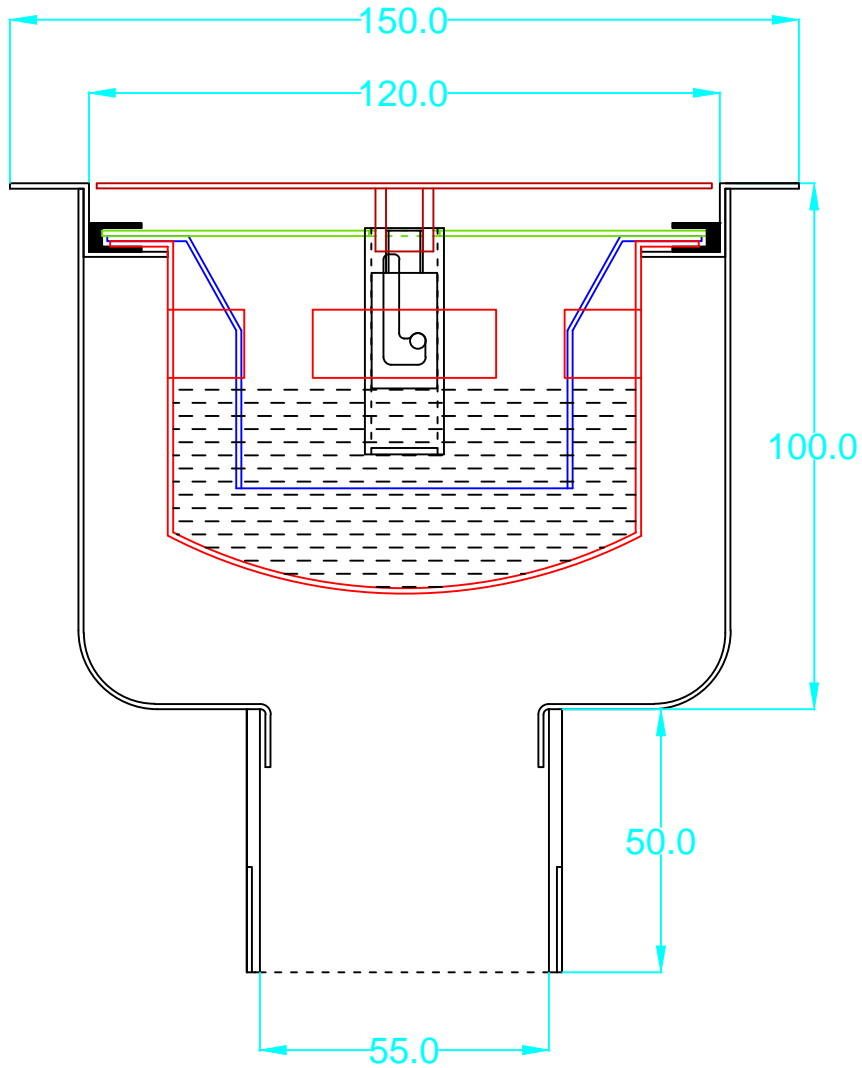
KNACON ENVIRO ENGINEERING

42 AVINASH, J.P. ROAD, ANDHERI (W), MUMBAI - 400 053
 TEL: 91 22 26314010, 26361629 FAX: 91 22 26315016
 EMAIL : info@knacktechnocrats.com

ALL DIMENSIONS ARE IN MM

DRAWN BY	CHECKED BY	DATE	SCALE	DWG NO.
AJINKYA	I. ANSARI	06/06/2016	N.T.S	2
FILE	H:\individual\AJINKYA\KNACON\KSDP NON BETA 24-02-2018\DRAIN TRAP 62			

STERILE FLOOR DRAIN TRAP – (SINGLE SEAL TURN OPENING BOTTOM OUTLET)



MOC: SS 304

ALL DIMENSIONS ARE IN MM.



Model : KDT – 100

KNACON ENVIRO ENGINEERING

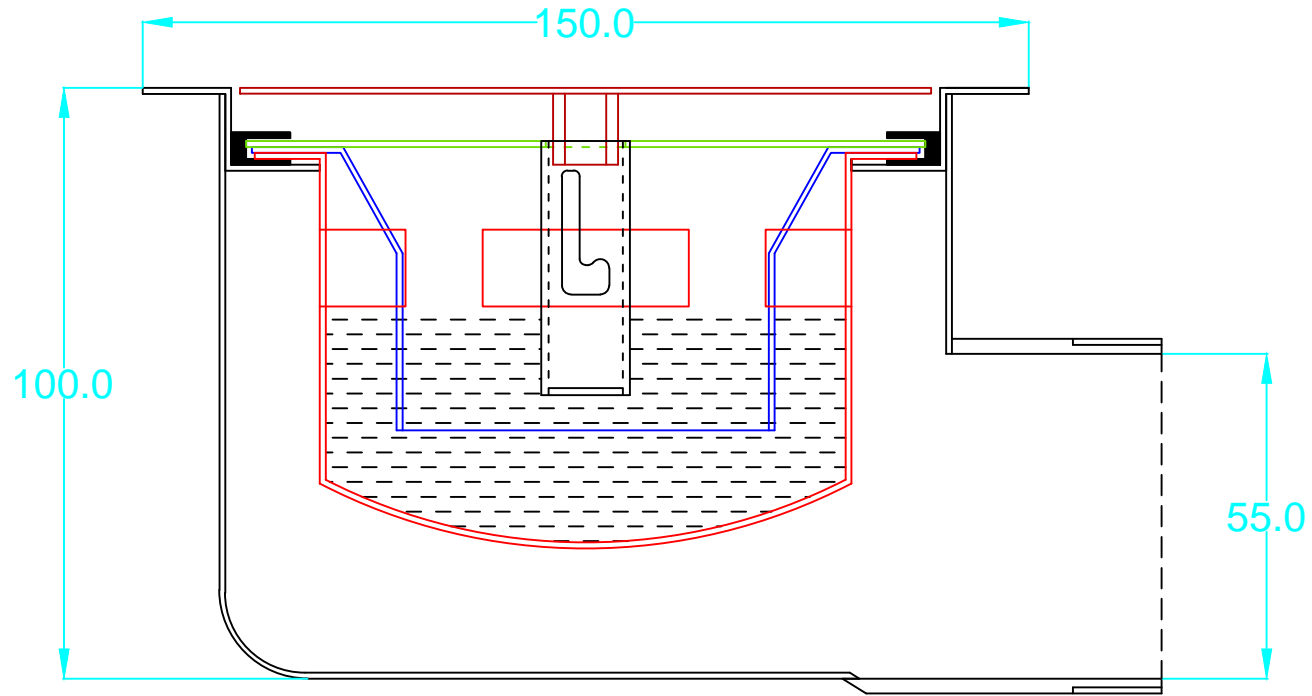
42 AVINASH, J.P. ROAD, ANDHERI (W), MUMBAI – 400 053
 TEL: 91 22 26314010,26361629 FAX: 91 22 26315016
 EMAIL : info@knacktechnocrats.com

ALL DIMENSIONS ARE IN MM

DRAWN BY	CHECKED BY	DATE	SCALE	DWG NO.
AJINKYA	I. ANSARI	06/06/2016	N.T.S	1

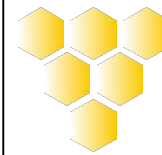
FILE H:\individual\AJINKYA\KNACON\KSDP NON BETA 24-02-2018\RAIN TRAP 62 NC

STERILE FLOOR DRAIN TRAP – (SINGLE SEAL TURN OPENING SIDE OUTLET)



MOC: SS 304

ALL DIMENSIONS ARE IN MM.



MODEL : KDT – 100

KNACON ENVIRO ENGINEERING

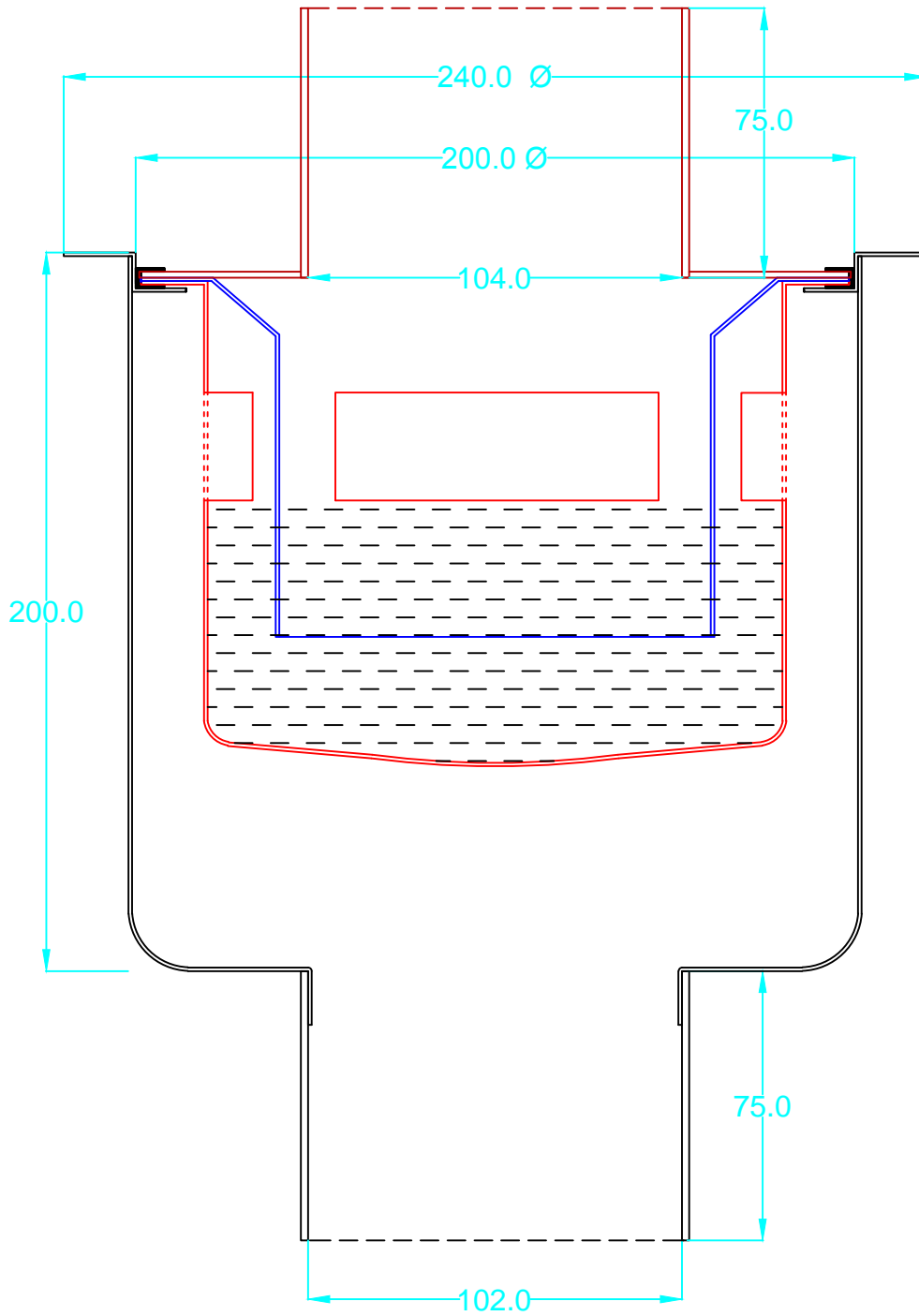
42 AVINASH, J.P. ROAD, ANDHERI (W), MUMBAI – 400 053
 TEL: 91 22 26314010,26361629 FAX: 91 22 26315016
 EMAIL : info@knacktechnocrats.com

ALL DIMENSIONS ARE IN MM

DRAWN BY	CHECKED BY	DATE	SCALE	DWG NO.
AJINKYA	I. ANSARI	06/06/2016	N.T.S	1

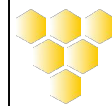
FILE H:\individual\AJINKYA\KNACON\KSDP NON BETA 24-02-2018\RAIN TRAP 62 NC

STERILE DRAIN TRAP - (SINGLE SEAL SINK INSTALLATION BOTTOM OUTLET)



MOC: SS 304

ALL DIMENSIONS ARE IN MM.



Model : KDT - 200

KNACON ENVIRO ENGINEERING

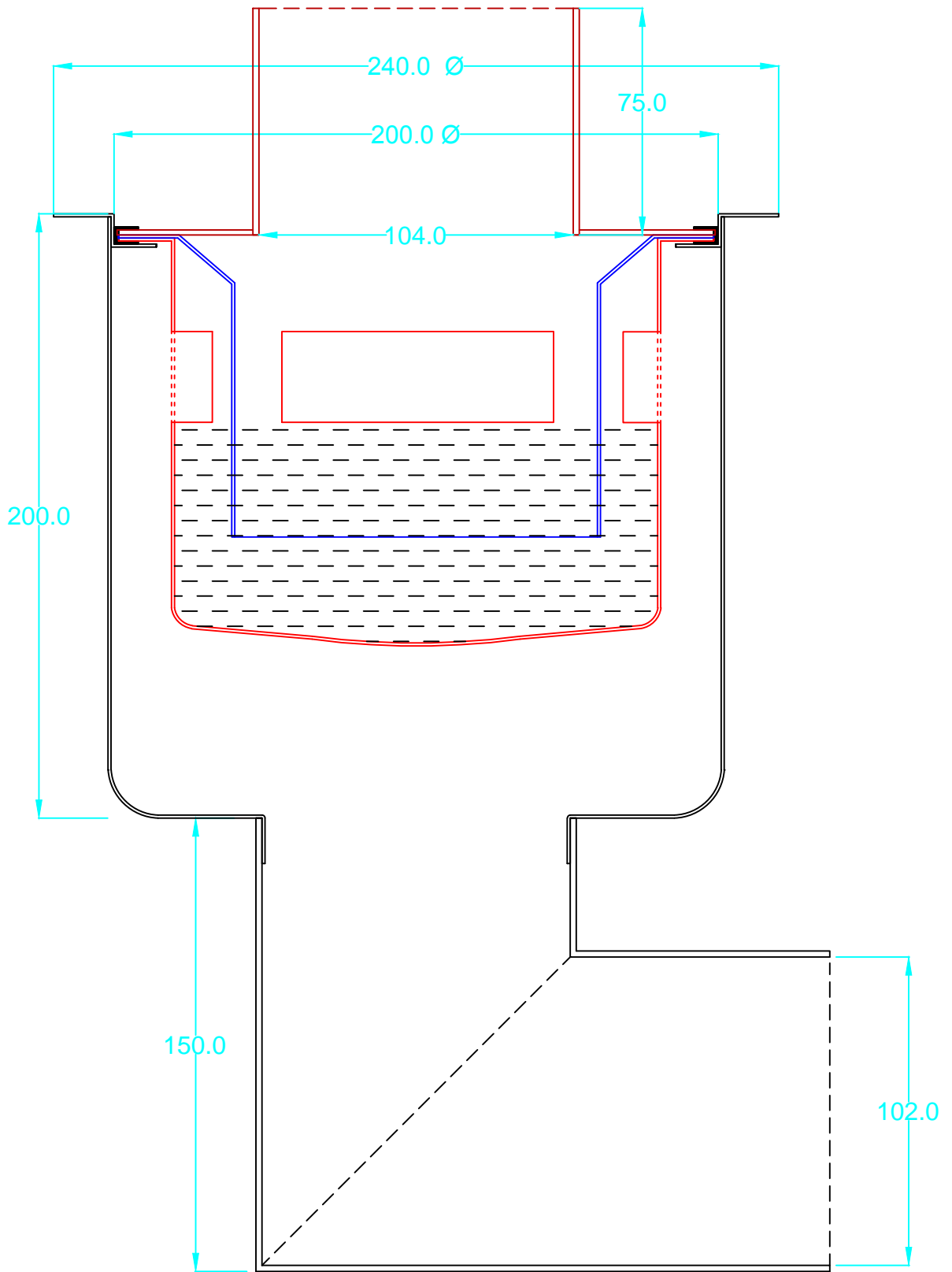
42 AVINASH, J.P. ROAD, ANDHERI (W), MUMBAI - 400 053
 TEL: 91 22 26314010, 26361629 FAX: 91 22 26315016
 EMAIL : info@knacktechnocrats.com

ALL DIMENSIONS ARE IN MM

DRAWN BY	CHECKED BY	DATE	SCALE	DWG NO.
AJINKYA	I. ANSARI	08-11-2016	N.T.S	4

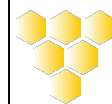
FILE H:\individual\AJINKYA\KNACON\KSDP NON BETA 24-02-2018\DRAIN TRAP 63

STERILE DRAIN TRAP - (SINGLE SEAL SINK INSTALLATION SIDE OUTLET)



MOC: SS 304

ALL DIMENSIONS ARE IN MM.



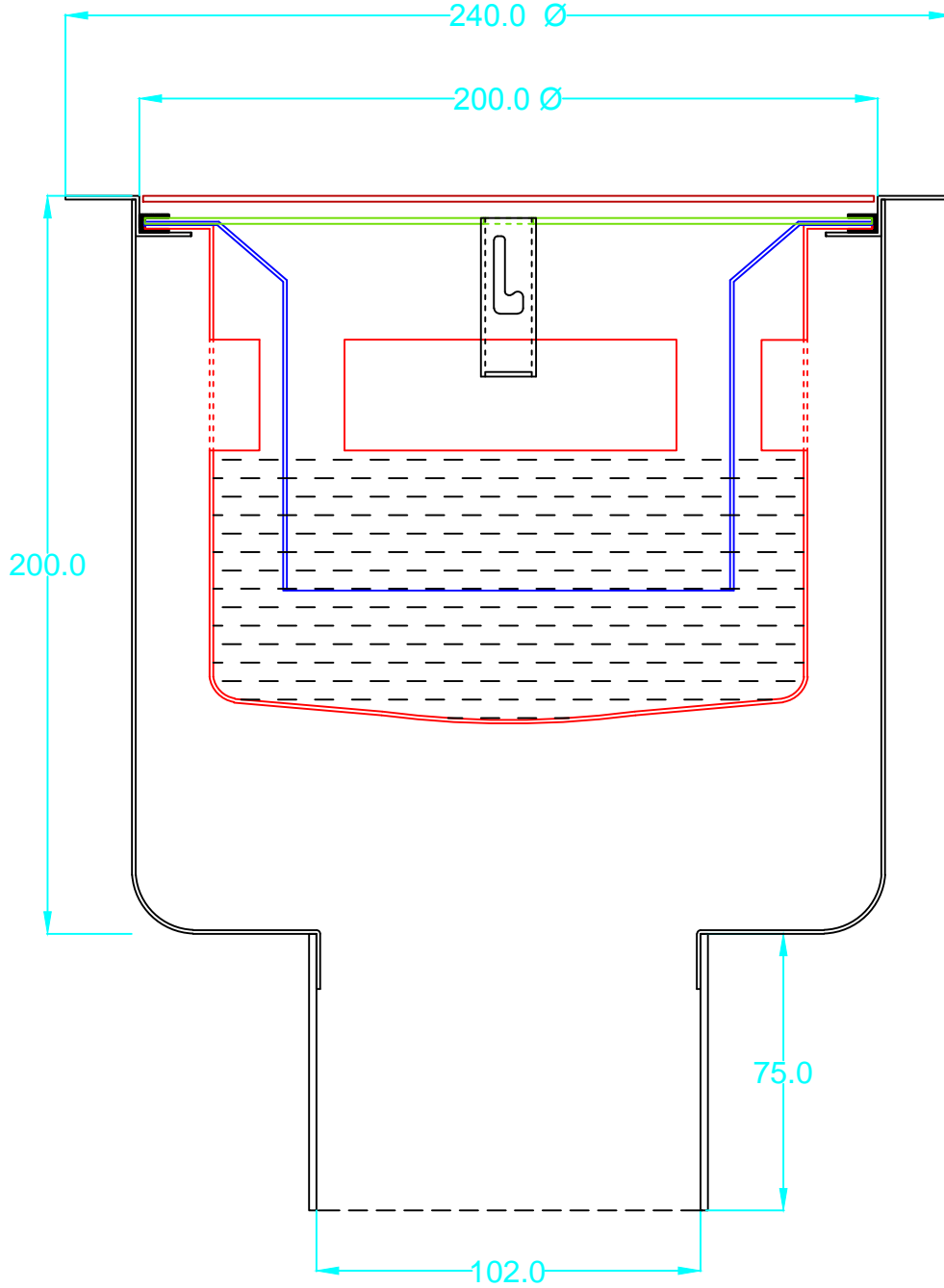
Model : KDT - 200

KNACON ENVIRO ENGINEERING

42 AVINASH, J.P. ROAD, ANDHERI (W), MUMBAI - 400 053
 TEL: 91 22 26314010, 26361629 FAX: 91 22 26315016
 EMAIL : info@knacktechnocrats.com

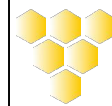
ALL DIMENSIONS ARE IN MM				
DRAWN BY	CHECKED BY	DATE	SCALE	DWG NO.
AJINKYA	I. ANSARI	10-12-2016	N.T.S	3
FILE	H:\individual\AJINKYA\KNACON\KSDP NON BETA 24-02-2018\DRAIN TRAP 62			

STERILE FLOOR DRAIN TRAP - (SINGLE SEAL TURN OPENING BOTTOM OUTLET)



MOC: SS 304

ALL DIMENSIONS ARE IN MM.



Model : KDT - 200

KNACON ENVIRO ENGINEERING

42 AVINASH, J.P. ROAD, ANDHERI (W), MUMBAI - 400 053
 TEL: 91 22 26314010, 26361629 FAX: 91 22 26315016
 EMAIL: info@knacktechnocrats.com

ALL DIMENSIONS ARE IN MM				
DRAWN BY	CHECKED BY	DATE	SCALE	DWG NO.
AJINKYA	I. ANSARI	08-11-2016	N.T.S	3
FILE	H:\individual\AJINKYA\KNACON\KSDP NON BETA 24-02-2018\DRAIN TRAP 63			