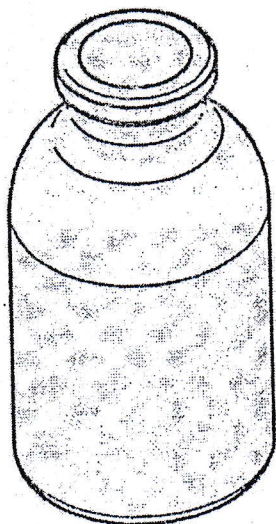
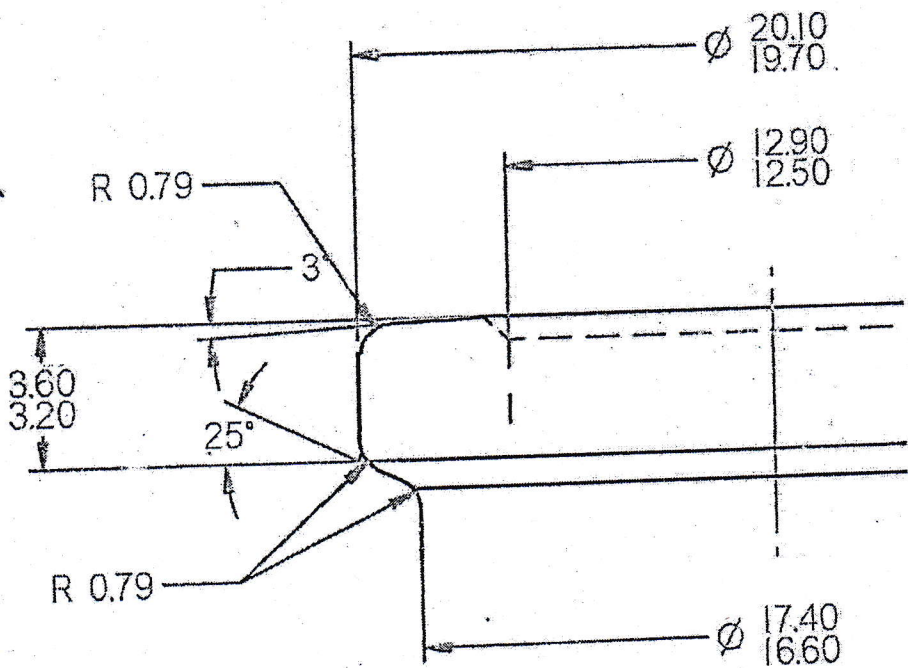
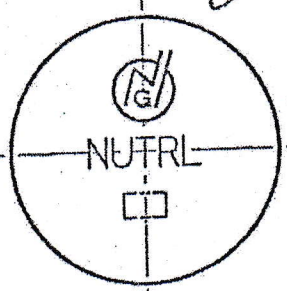
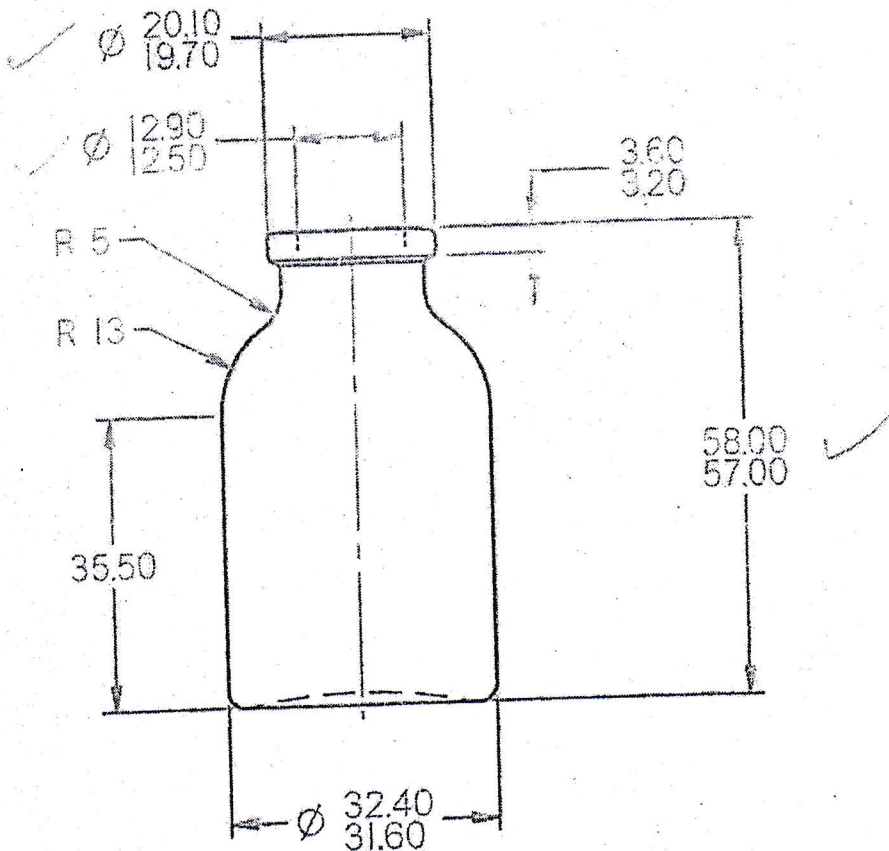


20ml VIAL-Drawing

DATE: 09.10.2018

COMPANY: KSDP, Alappuzha



Checked By:

Dy. Manager Production

Production Manager

HOD, QC

QA Head

FINISH : 20 mm STD

MASTER COPY