



kerala state drugs and pharmaceuticals ltd.

a government of kerala enterprise

factory & office | phone : 0477-2258184
kalavoor - 688 522 | 0477-2258828
alappuzha, india

Email : ksdpltd@gmail.com | fax : 0477 - 2258162
Website : www.ksdp.co.in

TENDER NOTICE

KSDP/MAINT/F-BETACHILLERTANK/2019-20/02

DATE:04/03/2020

Sealed tender is invited for carrying out the following work at Kerala State Drugs & Pharmaceuticals ltd, Kalavoor, Alappuzha.

Name of Work:

Fabrication and installation of MS tank for Betalactam chiller plant.

Details of Work:

Fabrication and installation of MS tank with FRP Coating.

(Drawing is attached herewith)

Tank Size

Height: 2200mm

Length x Breadth: 2500 x 1800 mm

Volume: 9000L

Item details

- | | |
|----------------------------------|---|
| 1. 4" Butterfly valve | 2 nos |
| 2. 2" Ball valve threaded | 2 nos |
| 3. 2" Nipple | 4 nos |
| 4. ½" Nipple | 2 nos |
| 5. M.S 8mm Thick plate | 48.4 sq.ft |
| 6. M.S 6mm Thick plate | 257.5 sq.ft |
| 7. FRP coating | 2mm thickness inside and outside |

Terms and Conditions:

An amount of **Rs.8800/-** as **EMD** (Refundable) & **Rs.700/- + 18 %GST** as **Tender Cost**, to be enclosed as DD in favour of KSDP Ltd .payable at Alappuzha.

Payment Terms:

100% payment will be released after successful installation of tank at site.

Important Dates:

- **Last Date for receipt of tender: 11/03/2020 , 12pm at KSDP**
- **Date of opening of tender: 11/03/2020 , 3pm**

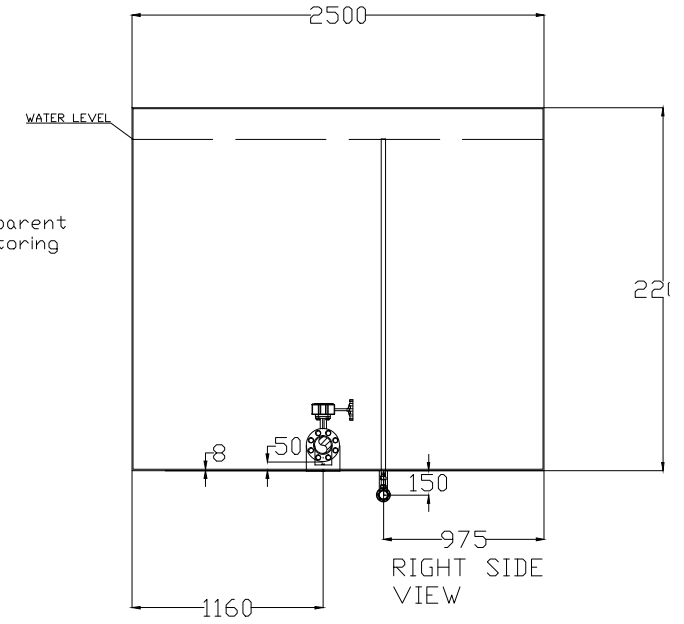
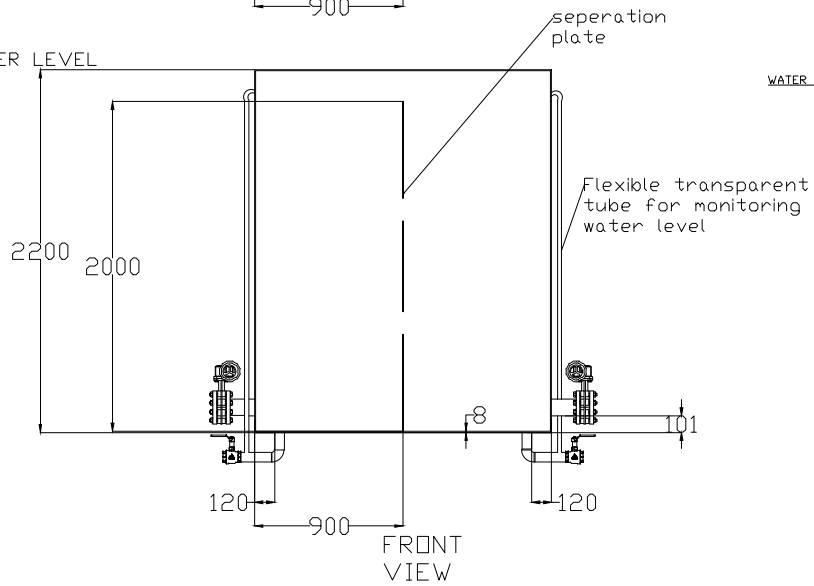
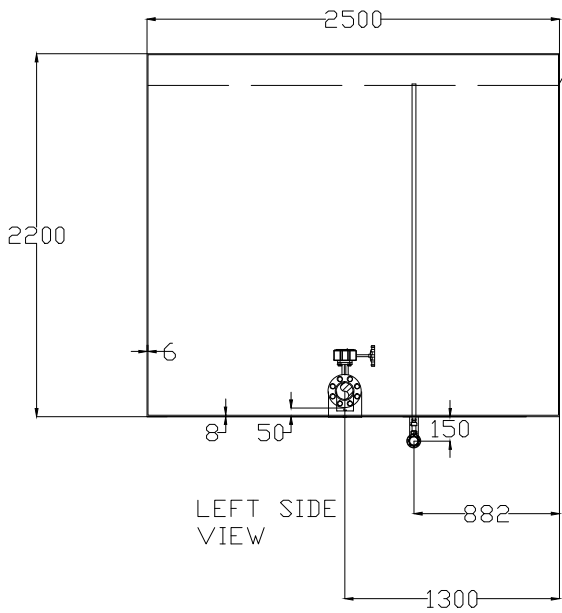
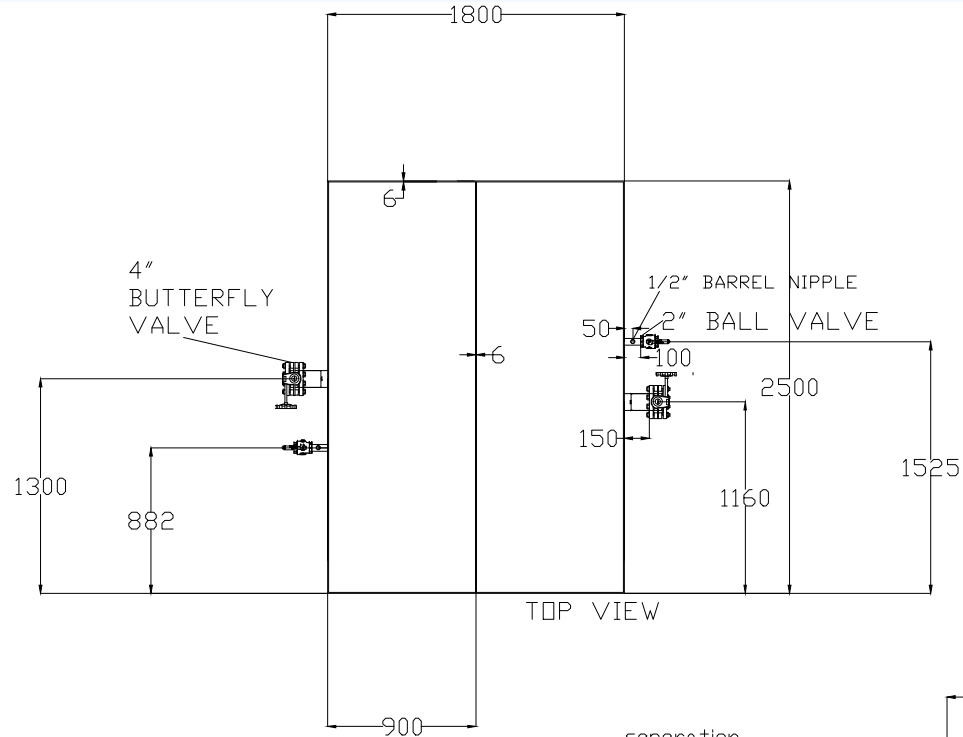
Note: -

1. Before applying FRP coating, contractor shall show the thickness of the material used for the fabrication work with proper instruments.
2. Before installation, same procedure should repeat for FRP thickness checking.
3. In the tender, it should be specifically mention about the rate, taxes, freight charges, packing charges, statutory charges, loading and unloading charges etc.

Submit Your tender on or before **12pm** on **11.03.2020** to the office addressing “**MANAGING DIRECTOR KSDP Ltd, Kalavoor P.O, Alappuzha, Kerala, 688522**”.

D.M I/C
(Maintenance)

BQQ		
SLNO	ITEM DESCRIPTION	QTY
1	4" BUTTERFLY VALVE	2
2	2" BALL VALVE	2
3	1/2" BARREL NIPPLE	2
4	M.S 8MM THICK PLATE	48,4sq ft
5	M.S 6MM THICK PLATE	257,5sq ft



M.S WATER TANK