



Kerala State Drugs & Pharmaceuticals Ltd.

a government of Kerala enterprise

Factory & Office :

Kalavoor, Alappuzha - 688 522, India

Phone: 0477-2258184, 2258828

Telefax : 0477-2258162

E-mail: ksdpltd@gmail.com

Website : www.ksdp.co.in

KSDP/ELE/F-CoolingTWR.C.P/2023-24/1

11.01.2024

QUOTATION NOTICE

Kerala State Drugs and Pharmaceuticals Ltd, Kalavoor, Alappuzha inviting sealed quotation for the work "Supply, installation and commissioning of Control Panel for Cooling Tower at Non Betalactam Plant"

SCOPE OF WORK :

Supply, installation and commissioning of Control Panel for Cooling Tower including cabling and termination in KSDPL.

PERIOD OF COMPLETION :

15 days from the date of issuance of work order/handing over Site.

TERMS OF PAYMENT

100% of payment will be released on completion of work.

IMPORTANT DATES :

Last Date of receipt of sealed quotation: 20-01-24 at 4:00 PM..

Opening date:20/01/2024 at 4.30 PM

Please send your sealed quotation addressing to Managing Director, Kerala State Drugs And Pharmaceuticals Ltd, Kalavoor P.O, Alappuzha-688522 on or before: 20-01-24 ,4:00 PM.

Deputy Manager (Maintanance)



Kerala state drugs and pharmaceuticals ltd.

a government of kerala enterprise

factory & office phone 0477-2258184
kalavoor - 688 522 0477-2258828
atappuzha, india

Email: ksdpltd@gmail.com fax : 0477 - 2258162
Website : www.ksdp.co.in

SEALED QUOTATION DETAILS

Name of Work : Supply, installation and commissioning of Control Panel for Cooling Tower
at Non Betalactam Plant

Sealed Quotation publishing date : 11/01/2024

Closing date : 20/01/2024; 4.00 PM

Opening date : 20/01/2024; 4.30 PM

TERMS AND CONDITIONS

1. Scope of the Work :

Supply, installation and commissioning of Control Panel for cooling tower including cabling and terminations as per design provided by KSDP and electrical inspectorate standards.

Design of control panel is attached as Annexure 1.

2. Period of Completion :

All the work should be completed within 15 days from the date of receipt of work order / Handing over Site.

3. Safety of adjoining properties:

The contractor or his authorized representatives should conduct all the operations necessary for the execution of works in such a manner that no inconvenience / damage are caused to the properties of other persons and owner.

4. Terms of Payment :

- 100% of payment will be released on completion of work.
- Payments will be based on the actual quantity of work executed.

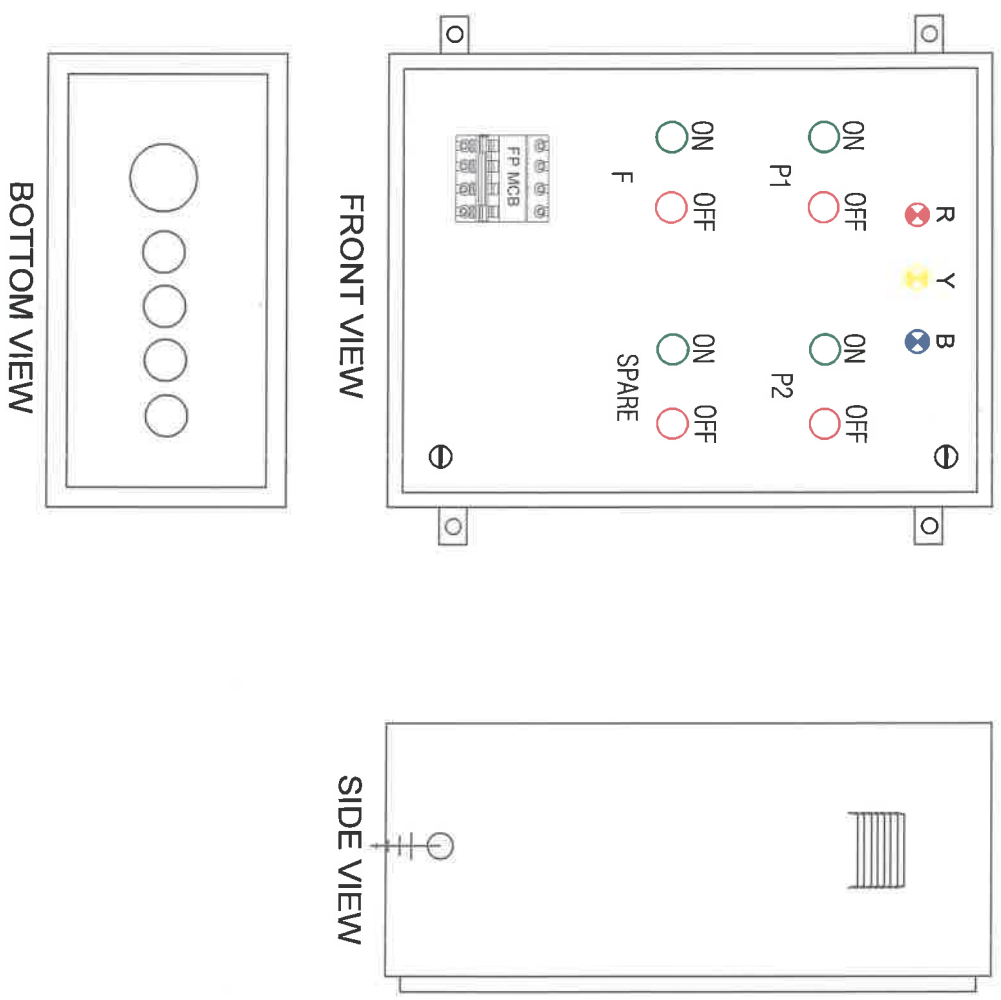
5. General Conditions:

- i) You should work as per the Rules & Regulations applicable to Employees of the company.
- ii) The terms conditions of tender is an integral part of this work order.
- iii) You should be responsible for the welfare and safety of the Men employed by you inside the company.
- iv) Statutory deductions if any will apply to the Contract Value
- v) In case of dispute, jurisdiction will be Alleppey, Kerala.
- vi) All safety measures should be taken during Erection & Commissioning.
- vii) Water and electricity will be supplied by KSDP free of cost at one point.
- viii) Special care is to be taken for cleanliness of the site & after the end of day's work the site should be cleaned immediately.

- ix) All tools and machines, scaffolding and labours required for the work is coming under the scope of contractor.
- x) Your employees should wear all safety items/equipments such as helmet, goggles, safety belts, boots etc. Company will have no liability to employees entrusted by you with respect to safety measures.

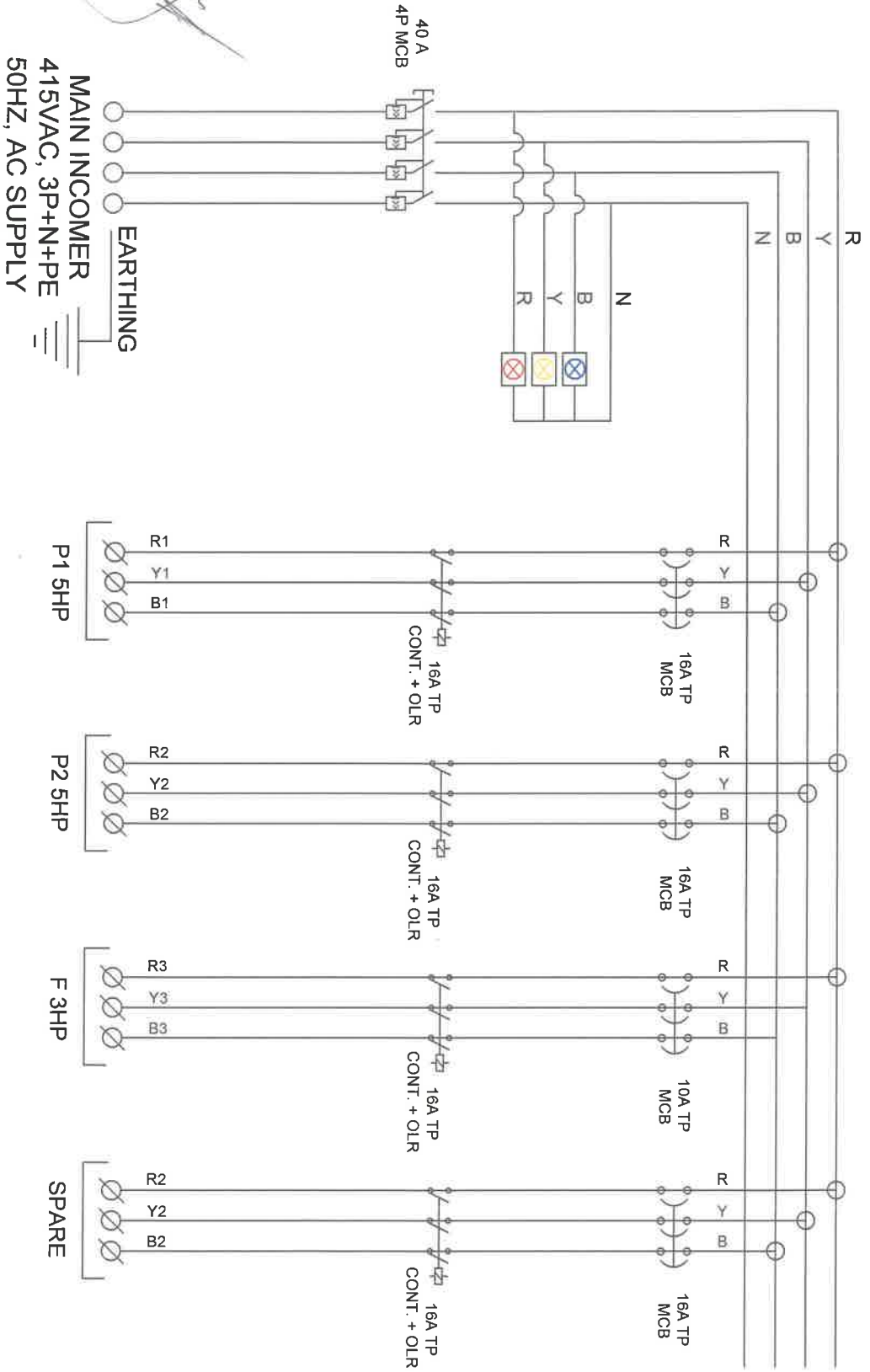
Any items found to be having been executed with poor workmanship or materials of inferior quality then the contractor shall have to rectify / reconstruct the work as specified by owner/ consultant. No extra charge will be admissible in such case. If contractors fails to do so, the owner / consultant reserved the right to rectify reconstruct the through some other agency at the expenses of contractor.


Deputy Manager (Maintanance)



[Handwritten Signature]



KERALA STATE DRUGS AND PHARMACEUTICALS LTD KALAVOOR, ALAPPUZHA

NAME OF WORK: SUPPLY, INSTALLATION AND COMMISSIONING OF CONTROL PANEL FOR COOLING TOWER

ANNEXURE 2

Sl. No.	Item Description	Item Code / Make	Quantity	Units	Quoted Currency in INR / Other Currency	BASIC RATE In Figures including freight charges ,loading, unloading,stacking, handling at site in Rs. P	Total amount without GST(GST will be as per actuals)	Total amount without GST(GST will be as per actuals)/in words
1	"Supply, installation and commissioning of Control Panel for cooling tower ,As per design provided by KSDP(Annexure 1). Panel shall be as per electrical inspectorate standards: "Preferred makes for switchgears:L&T,Schneider,ABB.	item 1	1.00	set	INR			
2	Supply, laying and clamping of XLPE Aluminium power cable of 1.1 KV grade of 4 core 16 sq. mm using clamps	item 2	25.00	Mtr	INR			
3	Supplying and making end termination with brass compression gland and aluminium lugs for 1.1 KV grade 4 core 16 sq. mm XLPE cable	item 3	2.00	Set	INR			
4	Supply, laying and clamping of XLPE Aluminium power cable of 1.1 KV grade of 3 core 6 sq. mm using clamps	item 4	100.00	Mtr	INR			
5	Supplying and making end termination with brass compression gland and aluminium lugs for 1.1 KV grade 3 core 6 sq. mm XLPE cable	item 5	8.00	Set	INR			

Contractor

Deputy Manager(Maintenance)

